

1

2

3

4

5

6

RevNo

Revision note

Date

Signature

Checked

A

A

B

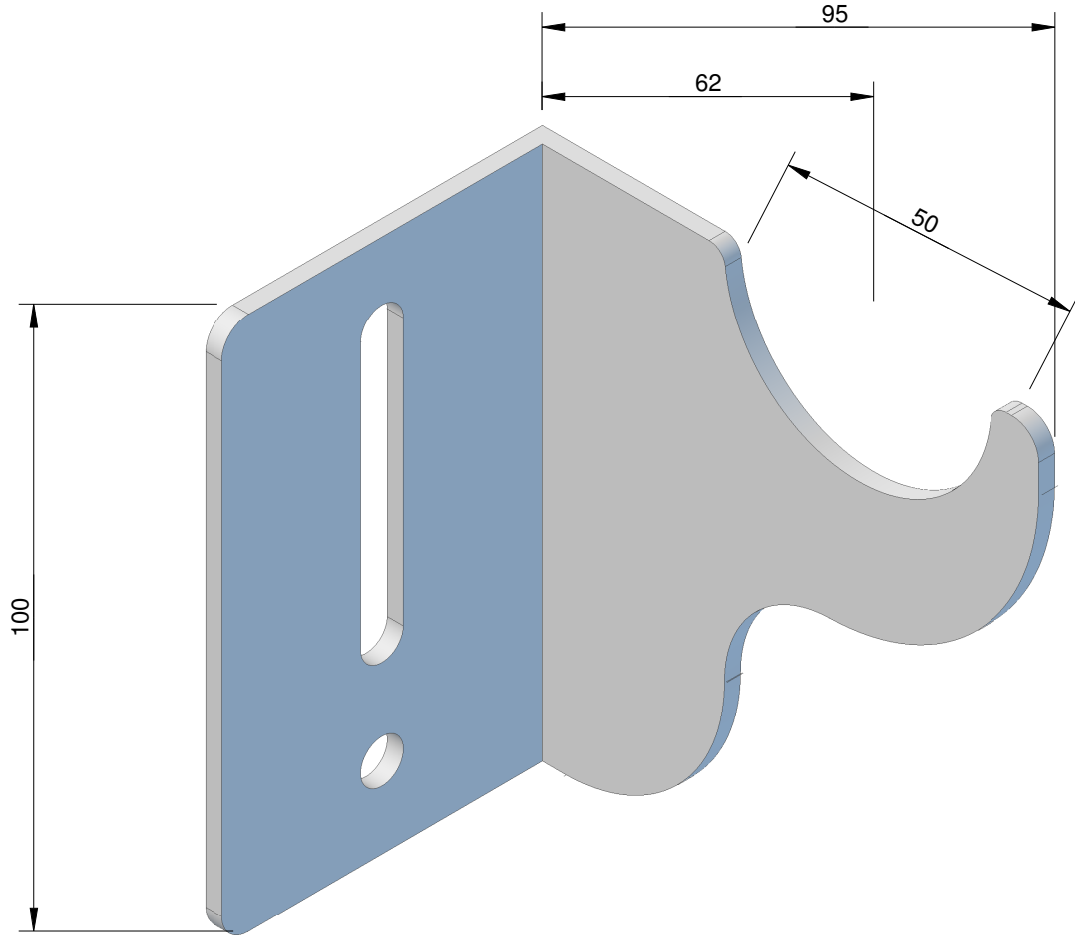
B

C

C

D

D



EFS Vägghäste MR/REX

Scale

Art.nr: 9100158

Edition

Sheet

1

2

3

4

5

6

1

2

3

4

5

6

RevNo

Revision note

Date

Signature

Checked

A

A

B

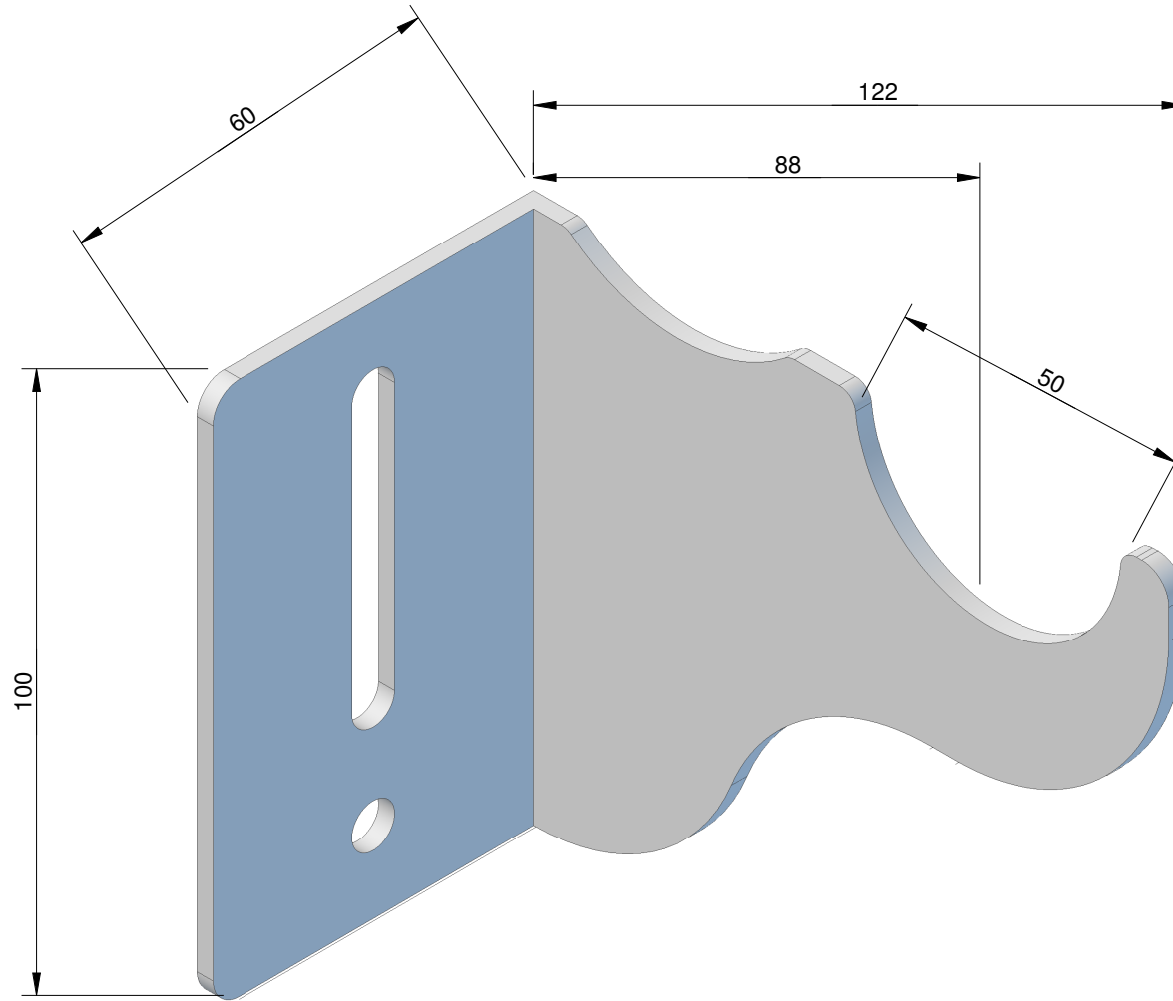
B

C

C

D

D



Itemref	Quantity	Title/Name, designation, material, dimension etc			Article No./Reference	
Drawn by Simon Wranå		Checked by	Approved by - date	File name	Date 2018-06-30	Scale 1:1
				EFS Väggfäste Duplex		
				Art nr: 9100173		Edition Sheet 1 av 1

1

2

3

4

5

6

1

2

3

4

5

6

RevNo	Revision note		Date	Signature	Checked
-------	---------------	--	------	-----------	---------

A

A

B

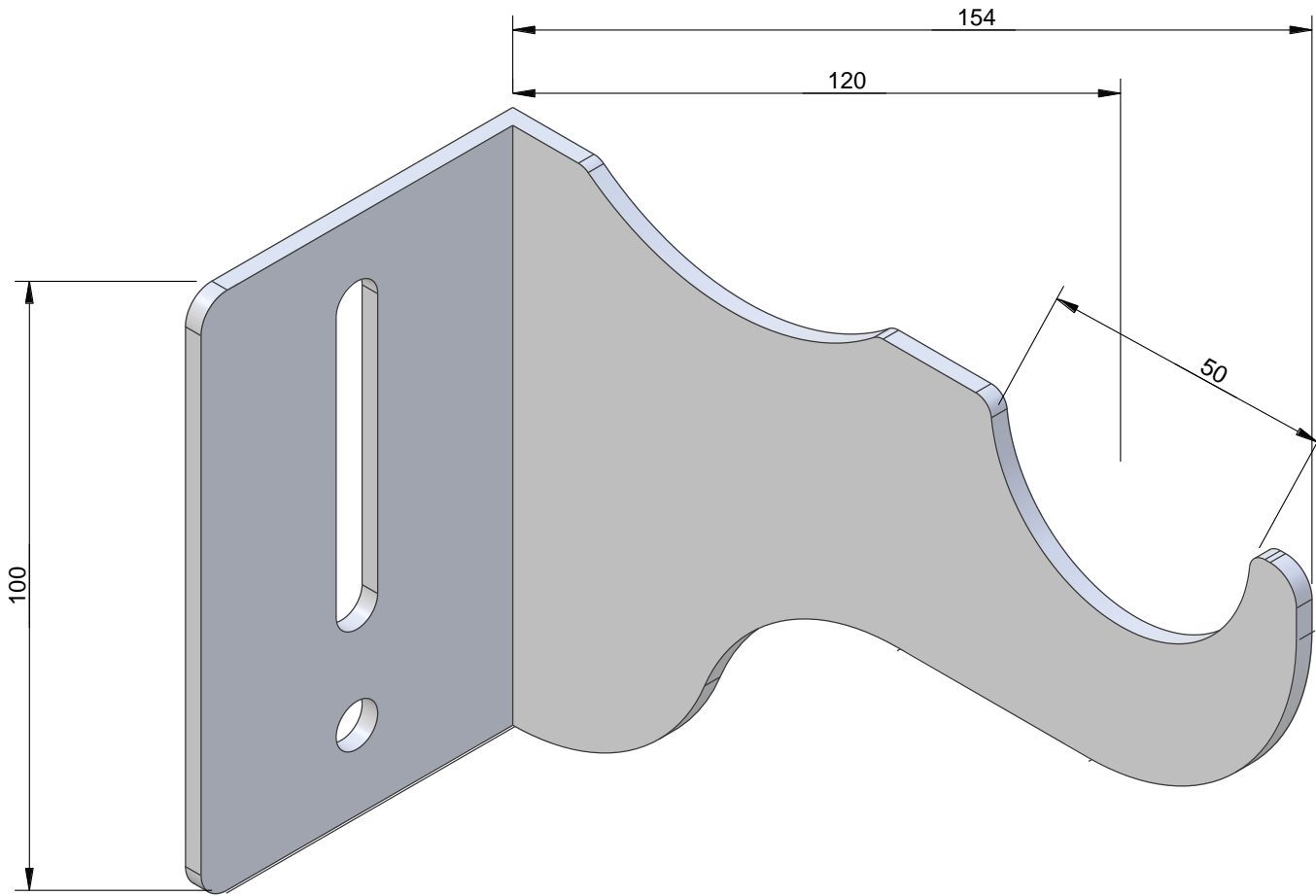
B

C

C

D

D



Itemref	Quantity	Title/Name, designation, material, dimension etc			Article No./Reference	
Drawn by		Checked by	Approved by - date	File name	Date	Scale 1:1
				EFS Vägghäste Triplex		
				Art nr: 9100174		Edition Sheet 1 av 1

1

2

3

4

5

6